

VHF & UHF Offset Dipole

ODP-JRC-8BP



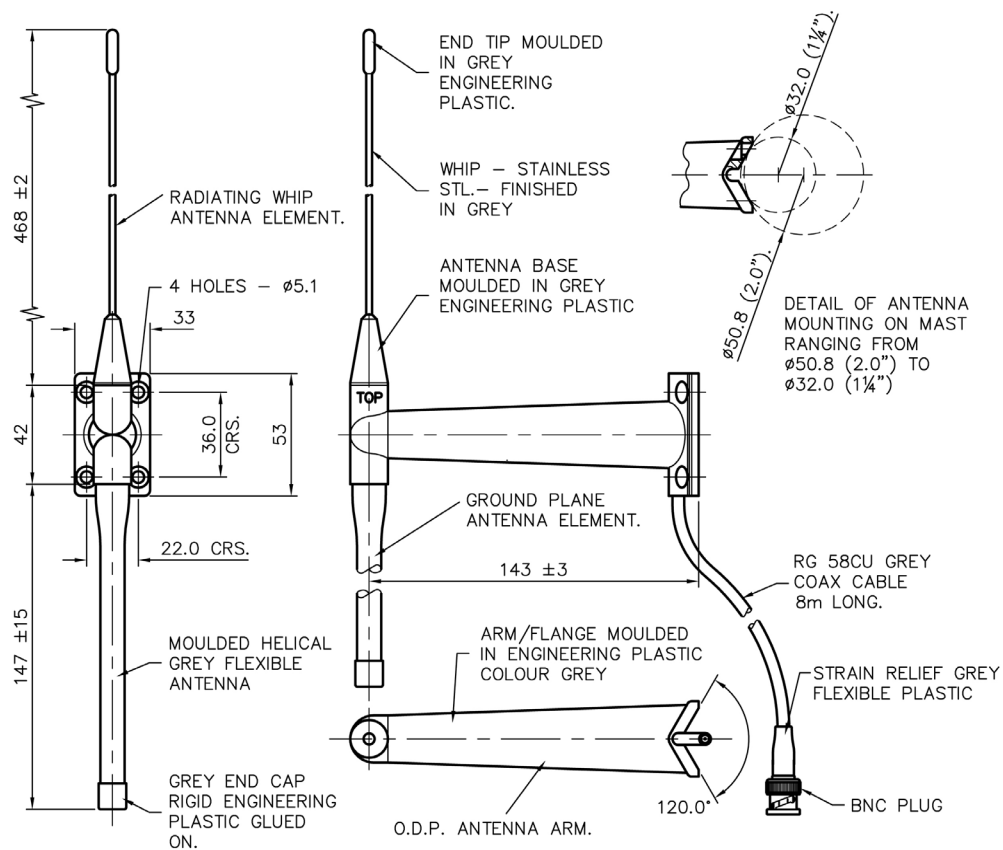
VHF Offset Dipole

- Improves range
- Easy installation
- Suitable for internal & external use

The ODP is a low cost remote antenna solution for fixed radio terminals - ideal of network infill or range extension.

With 4 screw holes for mounting, the ODP is waterproof so can be fitted internally or externally

Technical Drawing



VHF & UHF Offset Dipole

ODP-JRC-8BP

PANORAMA  ANTENNAS

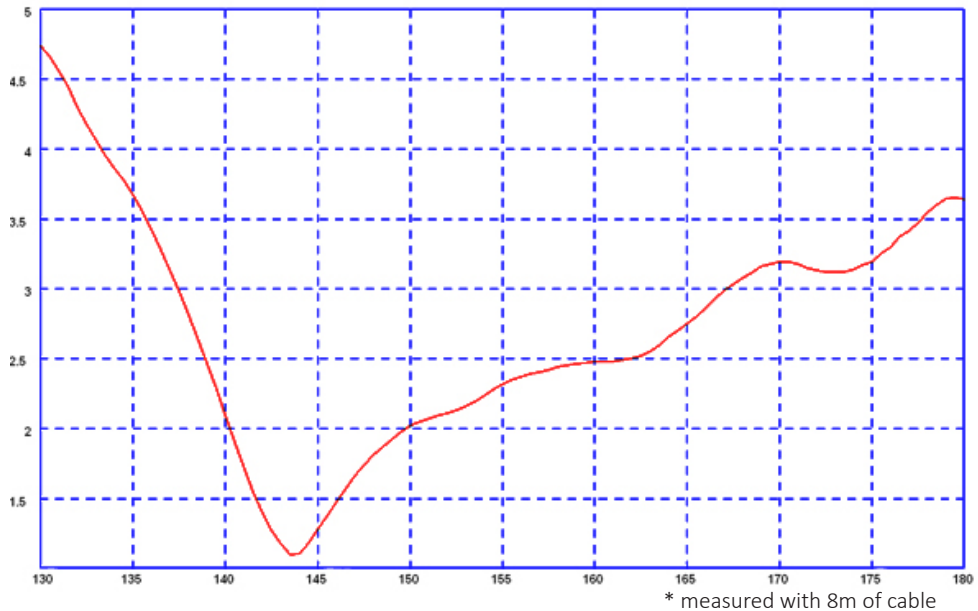
Product Data

Part No.		ODP-JRC-8BP
Electrical Data		
Frequency Range (MHz)		139-157
Operational Band		JRC
Gain: Isotropic		1 dBi
Compared to ¼ wave		-1 dB
Typical VSWR		≤ 2.5:1
Polarisation		Vertical
Pattern		Omni directional
Impedance		50Ω
Max Input Power (W)		20
Mechanical Data		
Dimensions (mm)	Total Length	657 (25.8")
	Whip length	468 (18.4")
	Helical length	147 (5.7")
Off-Set from wall (mm)		143 (5.6")
Operating Temp (°C)		-40° / +80°C (-40° / 176°F)
Colour		Grey
Mast diameter range (mm)		50.8 / 32.0 (2"/1.25")
Cable Data		
Type		RG 58CU
Length (m)		8 (26')
Colour		Grey
Diameter (mm)		5 (0.2")
Attenuation		0.35db/m @ 150 MHz
Termination		BNC plug

VHF & UHF Offset Dipole

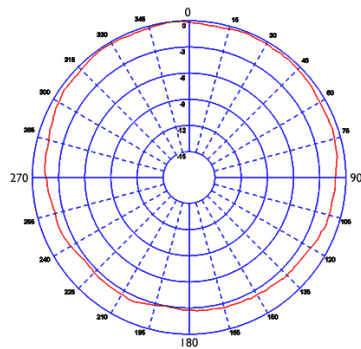
ODP-JRC-8BP

Typical VSWR*



Radiation Patterns

Typical H-Plane (147MHz)



Typical E-Plane (147MHz)

